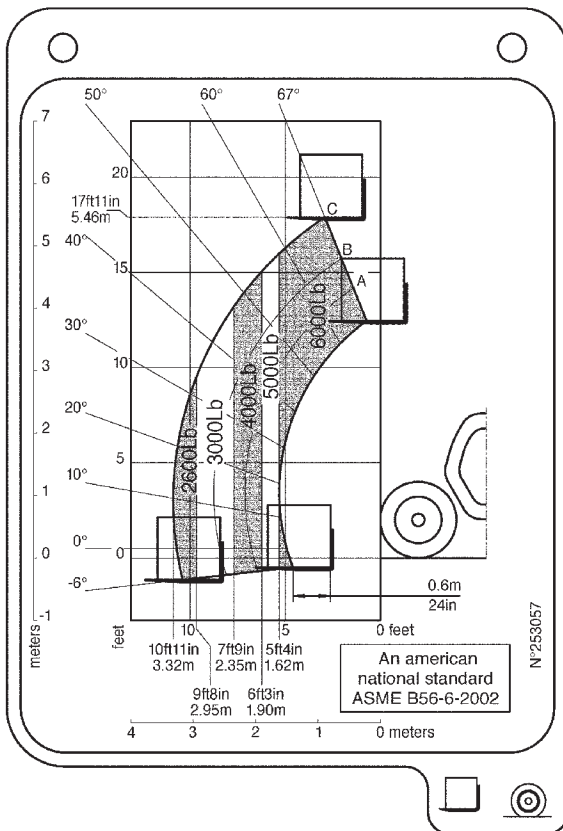
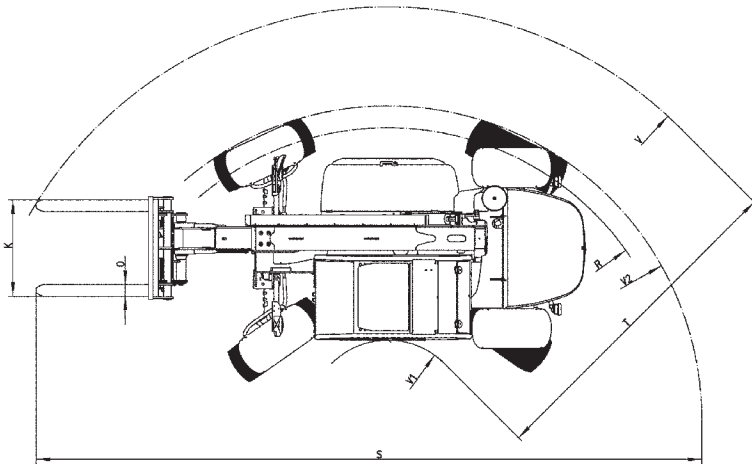
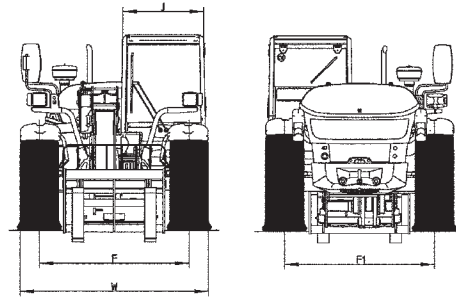
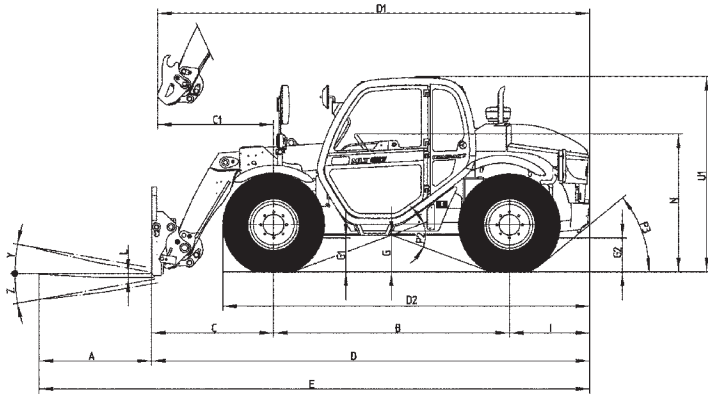


# DIMENSIONS AND LOAD CHART

# CT6-18 Low Profile



A	3' 11" (1200 mm)
B	8' 3" (2520 mm)
C	4' 3" (1307 mm)
C1	4' 2" (1260 mm)
D	15' 5" (4687 mm)
D1	15' 3" (4640 mm)
D2	12' 8" (3870 mm)
E	19' 4" (5887 mm)
F	6' 3" (1600 mm)
F1	6' 3" (1600 mm)
G	1' 4" (400 mm)
G1	1' 2" (365 mm)
G2	1' 2" (365 mm)
I	2' 9" (860 mm)
J	2' 10" (866 mm)
K	3' 5" (1040 mm)
L	1 3/4" (45 mm)
N	4' 8" / 4' 9" (1415 / 1455 mm)
O	5" (125 mm)
P2	41°
P3	39°
R	10' 8" (3250 mm)
S	24' 1" (7352 mm)
T	10' 7" (3215 mm)
U1	6' 11" (2108 mm)
V	15' 2" (4615 mm)
V1	4' 7" (1400 mm)
V2	11' 10" (3609 mm)
W	6' 7" (2010 mm)
Y	11.8°
Z	142.3°